



SJB-75

SUIJB-75

Unit: mm

Size 	Model Number	Wheel	Bearing	Load Capacity		Tire Width R	Shaft Diameter D	Overall Height H1	Plate Size F1/F2	Mounting Hole Spacing P1/P2	Plate Hole d	Offset E	Weight (g)
				 (daN)	(kgf)								
75	■ Steel Rim · Rubber Wheel												
	SJB-75	Rubber	B/B	80	81.6	32	10	101	82/82	63/63	9.5	22	620
	SRJB-75	Red Rubber	B/B	60	61.2								620
	CRJB-75	Heat-resistance	B/B	80	81.6								640
	■ Steel Rim · Urethane Rubber Wheel												
	SUIJB-75	Urethane	B/B	120	122.4	32	10	101	82/82	63/63	9.5	22	700
	SUIEJB-75	Anti-Static	B/B										700
	■ Nylon Rim · Rubber Wheel												
	PNJB-75	Rubber	B/B	70	71.4	32	10	101	82/82	63/63	9.5	22	600
	PNDJB-75	Rubber	SUS										600
	PNAJB-75	Rubber											560
	■ Nylon Rim · Urethane Rubber Wheel												
	PNUJB-75	Urethane	B/B	100	102.0	32	10	101	82/82	63/63	9.5	22	590
	PNUDJB-75	Urethane	SUS										590
	PNUAJB-75	Urethane		70	71.4								540
	■ Nylon												
	PJB-75	Nylon		100	102.0	32	10	101	82/82	63/63	9.5	22	510
	PBJB-75	Nylon	B/B	120	122.4								570
	PBDJB-75	Nylon	SUS										570
	■ Monomer Cast Nylon												
UWBJB-75	MC Nylon	B/B	120	122.4	24	10	101	82/82	63/63	9.5	22	610	
UWBDBJB-75	MC Nylon	SUS										610	
UWAJB-75	MC Nylon											570	
UWBSJB-75	MC Nylon	B/B										590	
UWBSDJB-75	MC Nylon	SUS			26							590	

● The stopper pedal for left foot is not available.

Bearing: No mark -- Spindle sleeve, B/B -- Steel bearing, SUS -- Stainless steel bearing

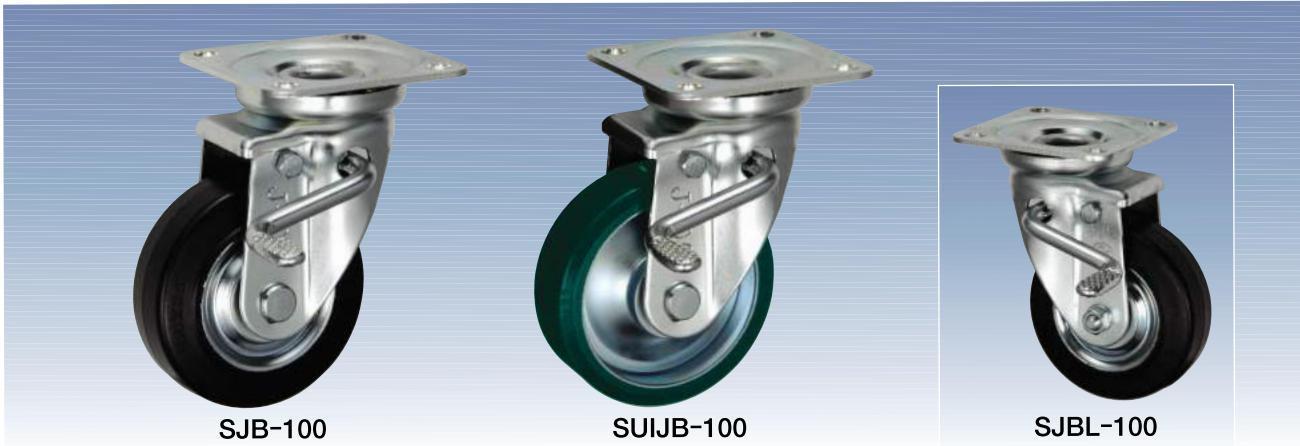
Build-to-order manufacturing

The JB Type bracket can lock or unlock the wheel and frame at the same time just by stepping the pedal.

JB Type

Size: 100mm

Medium Weight Swivel Bracket with Stopper



Medium Weight Caster Series

Unit: mm

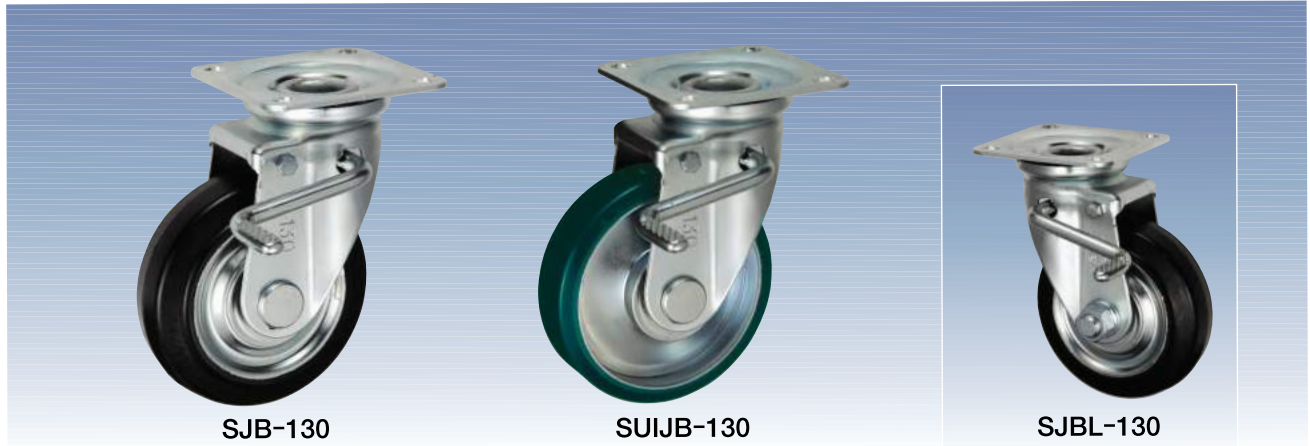
Size 	Model Number	Wheel	Bearing	Load Capacity		Tire Width R	Shaft Diameter D	Overall Height H1	Plate Size F1/F2	Mounting Hole Spacing P1/P2	Plate Hole d	Offset E	Weight (g)	
				(daN)	(kgf)									
100	■ Steel Rim · Rubber Wheel													
	SJB-100	Rubber	B/B	130	132.6	35	12	144	95/95	71/71	11	35	1,230	
	SRJB-100	Red Rubber	B/B	100	102.0								1,230	
	CRJB-100	Heat-resistance	B/B	130	132.6								1,260	
	■ Steel Rim · Urethane Rubber Wheel													
	SUIJB-100	Urethane	B/B	180	183.6	32	12	144	95/95	71/71	11	35	1,300	
	SUIEJB-100	Anti-Static	B/B										1,300	
	■ Nylon Rim · Rubber Wheel													
	PNJB-100	Rubber	B/B	100	102.0	32	12	144	95/95	71/71	11	35	1,130	
	PNDJB-100	Rubber	SUS										1,130	
	PNAJB-100	Rubber											1,070	
	■ Nylon Rim · Urethane Rubber Wheel													
	PNUJB-100	Urethane	B/B	150	153.0	32	12	144	95/95	71/71	11	35	1,110	
	PNUDJB-100	Urethane	SUS										1,110	
	PNUAJB-100	Urethane		100	102.0								1,050	
	■ Nylon													
	PJB-100	Nylon		120	122.4	35	12	144	95/95	71/71	11	35	1,030	
	PBJB-100	Nylon	B/B	180	183.6								1,090	
	PBDJB-100	Nylon	SUS										1,090	
	■ Monomer Cast Nylon													
UWBJB-100	MC Nylon	B/B	180	183.6	29	12	144	95/95	71/71	11	35	1,240		
UWBDJB-100	MC Nylon	SUS										1,240		
UWAJB-100	MC Nylon											1,190		
UWBSJB-100	MC Nylon	B/B										1,190		
UWBSDJB-100	MC Nylon	SUS			30							1,190		

● The stopper pedal for left foot is available (JB-100 → JBL-100).

Bearing: No mark -- Spindle sleeve, B/B -- Steel bearing, SUS -- Stainless steel bearing

Build-to-order manufacturing

The JB Type bracket can lock or unlock the wheel and frame at the same time just by stepping the pedal.




SJB-130

SUIJB-130

SJBL-130

Unit: mm

Size 	Model Number	Wheel	Bearing	Load Capacity		Tire Width R	Shaft Diameter D	Overall Height H1	Plate Size F1/F2	Mounting Hole Spacing P1/P2	Plate Hole d	Offset E	Weight (g)
				(daN)	(kgf)								
130	■ Steel Rim · Rubber Wheel												
	SJB-130	Rubber	B/B	180	183.6	42	20	177	108/108	80/80	11	40	2,040
	SRJB-130	Red Rubber	B/B	140	142.8								2,040
	CRJB-130	Heat-resistance	B/B	180	183.6								2,070
	■ Steel Rim · Urethane Rubber Wheel												
	SUIJB-130	Urethane	B/B	250	255.0	35	20	177	108/108	80/80	11	40	2,170
	SUIEJB-130	Anti-Static	B/B										2,170
	■ Nylon Rim · Rubber Wheel												
	PNJB-130	Rubber	B/B	145	147.9	38	20	177	108/108	80/80	11	40	1,840
	PNDJB-130	Rubber	SUS										1,840
	PNAJB-130	Rubber											120
	■ Nylon Rim · Urethane Rubber Wheel												
	PNUJB-130	Urethane	B/B	200	204.0	35	20	177	108/108	80/80	11	40	1,780
	PNUDJB-130	Urethane	SUS										1,780
	PNUAJB-130	Urethane											120
	■ Nylon												
	PJB-130	Nylon		150	153.0	42	20	177	108/108	80/80	11	40	1,580
	PBJB-130	Nylon	B/B	250	255.0								1,780
	PBDJB-130	Nylon	SUS										1,780
	■ Monomer Cast Nylon												
UWBJB-130	MC Nylon	B/B	250	255.0	36	20	177	108/108	80/80	11	40	2,060	
UWBDB-130	MC Nylon	SUS										2,060	
UWAJB-130	MC Nylon											1,910	
UWBSJB-130	MC Nylon	B/B										1,800	
UWBSDJB-130	MC Nylon	SUS			30							1,800	

● The stopper pedal for left foot is available (JB-130 → JBL-130).

Bearing: No mark -- Spindle sleeve, B/B -- Steel bearing, SUS -- Stainless steel bearing

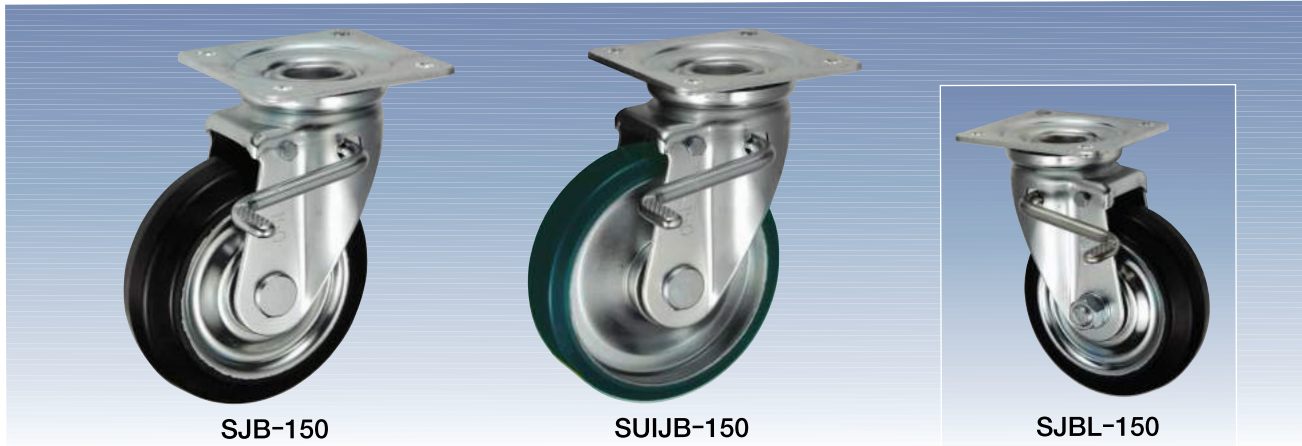
Build-to-order manufacturing

The JB Type bracket can lock or unlock the wheel and frame at the same time just by stepping the pedal.

JB Type

Size: 150mm

Medium Weight Swivel Bracket with Stopper



SJB-150

SUIJB-150

SJBL-150

Medium Weight Caster Series

Unit: mm

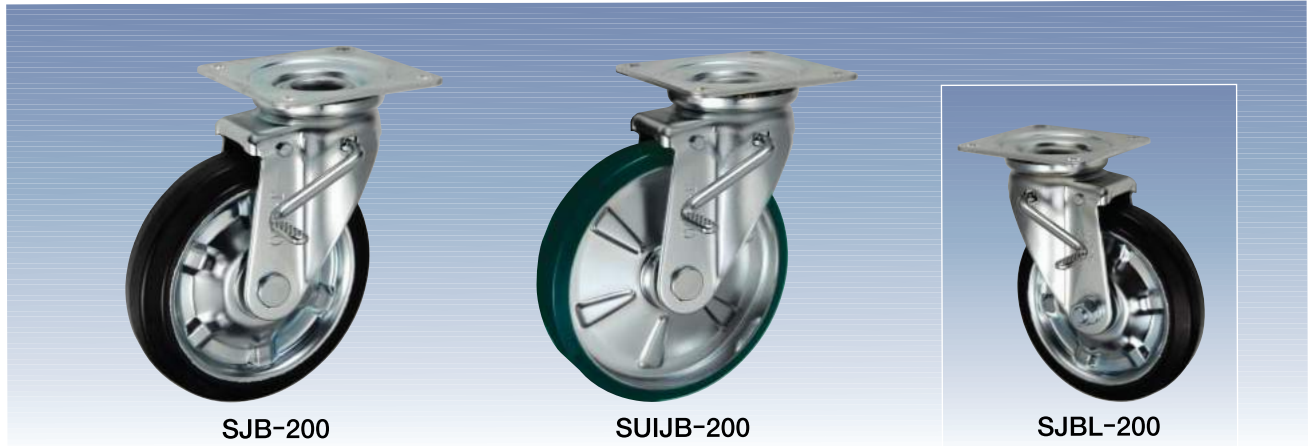
Size 	Model Number	Wheel	Bearing	Load Capacity		Tire Width R	Shaft Diameter D	Overall Height H1	Plate Size F1/F2	Mounting Hole Spacing P1/P2	Plate Hole d	Offset E	Weight (g)
				(daN)	(kgf)								
150	■ Steel Rim · Rubber Wheel												
	SJB-150	Rubber	B/B	200	204.0	45	20	198	120/120	90/90	11	45	2,700
	SRJB-150	Red Rubber	B/B	160	163.2								2,700
	CRJB-150	Heat-resistance	B/B	200	204.0								2,740
	■ Steel Rim · Urethane Rubber Wheel												
	SUIJB-150	Urethane	B/B	300	306.0	38	20	198	120/120	90/90	11	45	2,890
	SUIEJB-150	Anti-Static	B/B	300	306.0								2,890
	■ Nylon Rim · Rubber Wheel												
	PNJB-150	Rubber	B/B	175	178.5	38	20	198	120/120	90/90	11	45	2,410
	PNDJB-150	Rubber	SUS										2,410
	PNAJB-150	Rubber											140
	■ Nylon Rim · Urethane Rubber Wheel												
	PNUJB-150	Urethane	B/B	250	255.0	38	20	198	120/120	90/90	11	45	2,370
	PNUDJB-150	Urethane	SUS										2,370
	PNUAJB-150	Urethane		150	153.0								2,180
	■ Nylon												
	PJB-150	Nylon		180	183.6	45	20	198	120/120	90/90	11	45	2,150
	PBJB-150	Nylon	B/B	300	306.0								2,390
	PBDJB-150	Nylon	SUS	300	306.0								2,390
	■ Monomer Cast Nylon												
UWBJB-150	MC Nylon	B/B	300	306.0	40	20	198	120/120	90/90	11	45	2,830	
UWBDBJ-150	MC Nylon	SUS										2,830	
UWAJB-150	MC Nylon											2,680	
UWBSJB-150	MC Nylon	B/B										2,430	
UWBSDJB-150	MC Nylon	SUS			30							2,430	

● The stopper pedal for left foot is available (JB-150 → JBL-150).

Bearing: No mark -- Spindle sleeve, B/B -- Steel bearing, SUS -- Stainless steel bearing

Build-to-order manufacturing

The JB Type bracket can lock or unlock the wheel and frame at the same time just by stepping the pedal.




SJB-200

SUIJB-200

SJBL-200

Unit: mm

Size 	Model Number	Wheel	Bearing	Load Capacity		Tire Width R	Shaft Diameter D	Overall Height H1	Plate Size F1/F2	Mounting Hole Spacing P1/P2	Plate Hole d	Offset E	Weight (g)
				(daN)	(kgf)								
200	■ Steel Rim · Rubber Wheel												
	SJB-200	Rubber	B/B	250	255.0	45	20	250	140/140	112/112	11	58	4,240
	SRJB-200	Red Rubber	B/B	200	204.0								4,240
	SHJB-200	High-Rebound	B/B	250	255.0								4,240
	CRJB-200	Heat-resistance	B/B										4,320
	■ Steel Rim · Urethane Rubber Wheel												
	SUIJB-200	Urethane	B/B	400	408.0	42	20	250	140/140	112/112	11	58	4,410
	SUIEJB-200	Anti-Static	B/B										4,410
	■ Nylon Rim · Rubber Wheel												
	PNJB-200	Rubber	B/B	220	224.4	42	20	250	140/140	112/112	11	58	3,590
	PNDJB-200	Rubber	SUS										3,590
	PNAJB-200	Rubber											160
	■ Nylon Rim · Urethane Rubber Wheel												
	PNUJB-200	Urethane	B/B	350	357.0	42	20	250	140/140	112/112	11	58	3,460
	PNUDJB-200	Urethane	SUS										3,460
	PNUAJB-200	Urethane											250
	■ Nylon												
	PJB-200	Nylon		250	255.0	45	20	250	140/140	112/112	11	58	3,310
	PBJB-200	Nylon	B/B	400	408.0								3,520
	PBDJB-200	Nylon	SUS										3,520
	■ Monomer Cast Nylon												
	UWBJB-200	MC Nylon	B/B	420	428.4	42	20	250	140/140	112/112	11	58	4,470
	UWBDB-200	MC Nylon	SUS										4,470
	UWAJB-200	MC Nylon											4,320
UWBSJB-200	MC Nylon	B/B	3,930										
UWBSDJB-200	MC Nylon	SUS	34			3,930							
						3,930							

● The stopper pedal for left foot is available (JB-200 → JBL-200).

Bearing: No mark -- Spindle sleeve, B/B -- Steel bearing, SUS -- Stainless steel bearing

Build-to-order manufacturing

The JB Type bracket can lock or unlock the wheel and frame at the same time just by stepping the pedal.

JB Type

Size: 250mm

Medium Weight Swivel Bracket with Stopper


SJB-250

SUJB-250

Medium Weight Caster Series

Size 	Model Number	Wheel	Bearing	Load Capacity		Tire Width R 	Shaft Diameter D 	Overall Height H1 	Plate Size F1/F2 	Mounting Hole Spacing P1/P2 	Plate Hole d 	Offset E 	Weight (g)
				(daN)	(kgf)								
250	■ Steel Rim · Rubber Wheel												
	SJB-250	Rubber	B/B	330	336.6	50	25	305	160/160	125/125	14	71	6,370
	SRJB-250	Red Rubber	B/B	260	265.2	50	25	305	160/160	125/125	14	71	6,370
	CRJB-250	Heat-resistance	B/B	330	336.6	50	25	305	160/160	125/125	14	71	6,590
	■ Steel Rim · Urethane Rubber Wheel												
	SUJB-250	Urethane	B/B	500	510.0	45	25	305	160/160	125/125	14	71	6,930
■ Monomer Cast Nylon													
	UWBSJB-250	MC Nylon	B/B	550	561.0	36	25	305	160/160	125/125	14	71	6,090

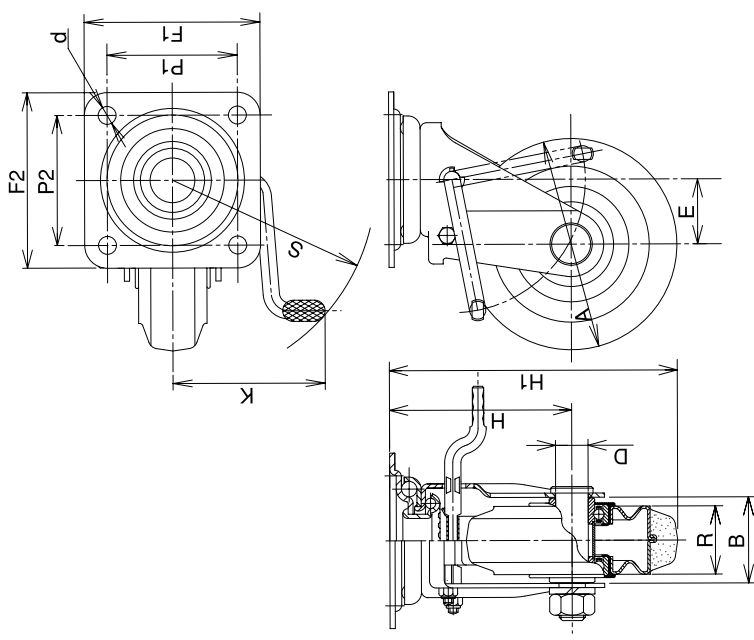
Unit: mm

● The stopper pedal for left foot is not available.

Bearing: B/B -- Steel bearing

Build-to-order manufacturing

The JB Type bracket can lock or unlock the wheel and frame at the same time just by stepping the pedal.



[Bracket Dimensions]		Unit: mm			
Size 	Load Capacity 	Bracket Height H 	Bracket Width B 	Weight (g) 	
75	120	122.4	63	40	420
100	180	183.6	94	43	870
130	250	255.0	112	53	1,260
150	300	306.0	123	56	1,740
200	420	428.4	150	56	2,570
250	550	561.0	180	90	3,850

[Pedal Dimensions]		Unit: mm			
Size 	Pedal Rod K 	Radius of Gyration S 			
75	65	82			
100	92	112			
130	105	135			
150	108	140			
200	120	148			
250	135	160			

* The shaft set is included in the bracket.