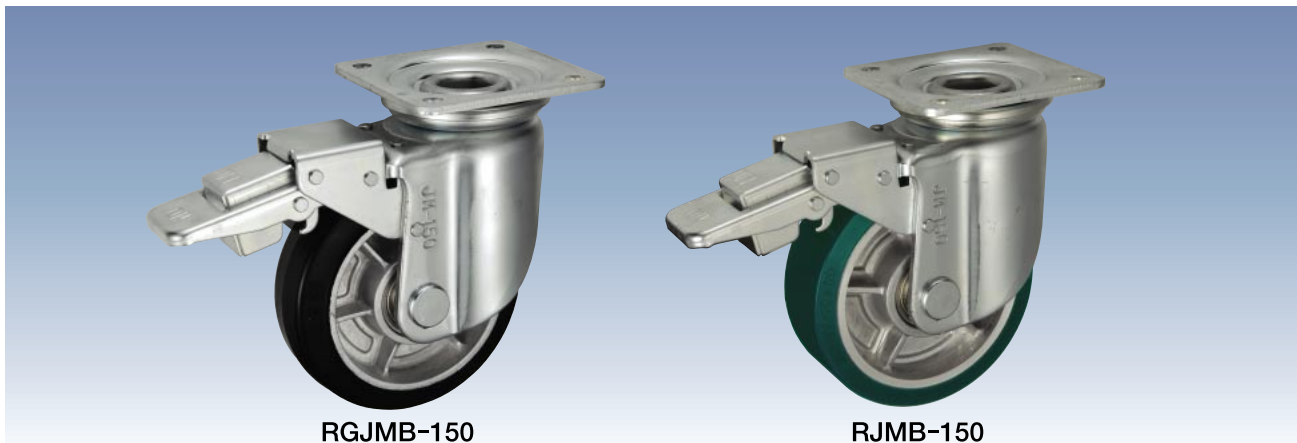


JMB Type

Size: 100mm~130mm

Heavy Duty Swivel Bracket with Stopper



RGJMB-150

RJMB-150

Unit: mm

Size 	Model Number	Wheel	Bearing	Load Capacity		Tire Width R 	Shaft Diameter D 	Overall Height H1 	Plate Size F1/F2 	Mounting Hole Spacing P1/P2 	Plate Hole d 	Offset E 	Weight (g) 	
				(daN)	(kgf)									
100	RGNJMB-100	Reinforced Nylon	B/B	460	469.2	45	12	144	108/108	80/80	11	37	2,250	
	RGJMB-100	Aluminum Rim·Rubber	B/B	200	204.0	2,280								
	RJMB-100	Aluminum Rim·Urethane	B/B	300	306.0	50							2,280	
	RFJMB-100	Steel Rim·Urethane	B/B	460	469.2	45							2,290	
	RRJMB-100	MC Nylon	B/B	460	469.2	29							2,190	
	UWBJMB-100	MC Nylon	B/B	460	469.2	29							2,130	
130	RGJMB-130	Aluminum Rim·Rubber	B/B	240	244.8	50	20	177	108/108	80/80	11	40	3,310	
	RJMB-130	Aluminum Rim·Urethane	B/B	450	459.0								3,450	
	RFJMB-130	Steel Rim·Urethane	B/B	450	459.0								3,480	
	RRJMB-130	Aluminum Rim·MC Nylon	B/B	500	510.0								3,460	
	UWBJMB-130	MC Nylon	B/B	500	510.0								36	3,210

Bearing: B/B -- Steel bearing

The stopper of the JMB Type bracket can lock the wheel to stop the caster.

[Bracket Dimensions]

Unit: mm

Size 	Load Capacity		Bracket Height H 	Bracket Width B 	Weight (g)
	(daN)	(kgf)			
100	460	469.2	94	57	1,750
130	500	510.0	112	60	2,400
150	550	561.0	123	60	2,980
200	660	673.2	150	71	4,690

[Pedal Dimensions]

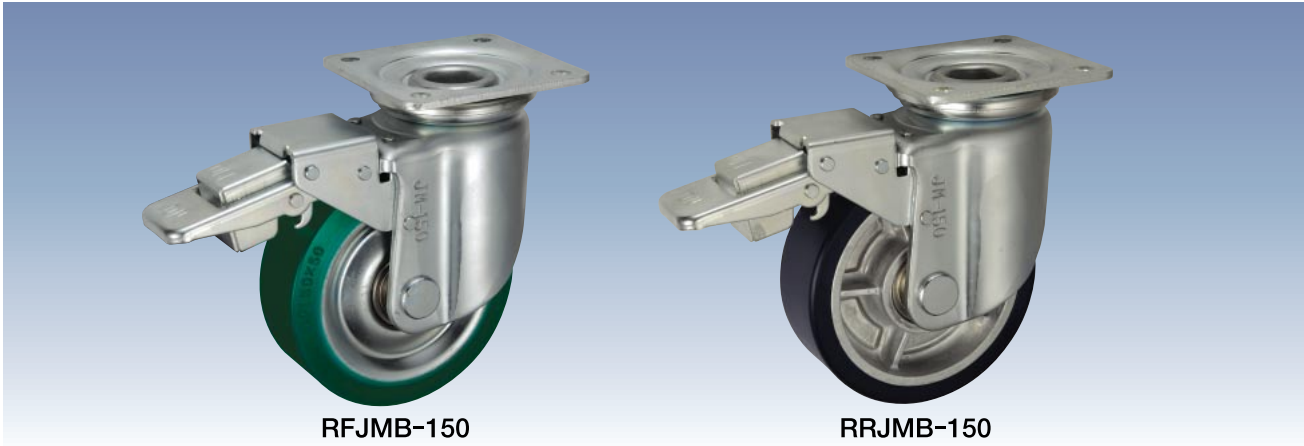
Unit: mm

Size 	Pedal Rod K 	Stop Torque (kg-cm)
100	150	130
130	180	200
150	190	250
200	250	300

* The shaft set is included in the bracket.

JMB Type


Size: 150mm~200mm
Heavy Duty Swivel Bracket with Stopper



RFJMB-150

RRJMB-150

Unit: mm

Size 	Model Number	Wheel	Bearing	Load Capacity		Tire Width R	Shaft Diameter D	Overall Height H1	Plate Size F1/F2	Mounting Hole Spacing P1/P2	Plate Hole d	Offset E	Weight (g)
				(daN)	(kgf)								
150	RGJMB-150	Aluminum Rim·Rubber	B/B	300	306.0	50	20	198	120/120	90/90	11	45	4,110
	RJMB-150	Aluminum Rim·Urethane	B/B	500	510.0								4,220
	RFJMB-150	Steel Rim·Urethane	B/B	500	510.0								4,280
	RRJMB-150	Aluminum Rim·MC Nylon	B/B	550	561.0								4,220
	UWBJMB-150	MC Nylon	B/B	40	4,080								
200	RGJMB-200	Steel Rim·Rubber	B/B	410	418.2	63	25	250	140/140	112/112	14	58	7,250
	RFJMB-200	Steel Rim·Urethane	B/B	600	612.0								7,260
	RRJMB-200	Aluminum Rim·MC Nylon	B/B	660	673.2								7,100
	UWBJMB-200	MC Nylon	B/B	42	6,630								

Bearing: B/B -- Steel bearing

The stopper of the JMB Type bracket can lock the wheel to stop the caster.

