

# Heavy Duty (Small Type) Caster Series

# JM Type

Size: 50mm~75mm

Heavy Duty Swivel Bracket (Small Type)



RGNJM-65 CP

RFJM-65 CP

RRJM-65 CP

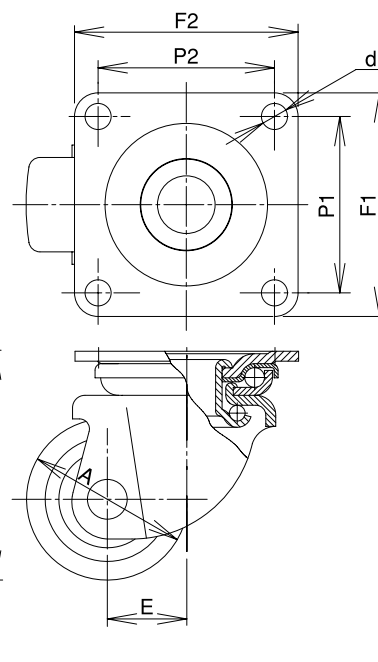
Size A	Model Number	Wheel	Bearing	Load Capacity		Tire Width R	Shaft Diameter D	Overall Height H1	Plate Size F1/F2	Mounting Hole Spacing P1/P2	Plate Hole d	Offset E	Weight (g)
				(daN)	(kgf)								
50	RGNJM-50 CP	Reinforced Nylon	B/B	200	204.0	28	10	72	65/65	50/50	6.2	25	420
	RRJM-50 CP	MC Nylon	B/B			27							420
	SUIJM-50 CP	Urethane	B/B	80	81.6	20.5							450
	FJM-50 CP	Steel	B/B	100	102.0	27							630
	FAJM-50 CP	Steel		60	61.2								700
65 ※	RGNJM-65 CP	Reinforced Nylon	B/B	300	306.0	38	12	92	90/90	71/71	10.5	35	1,070
	RFJM-65 CP	Urethane	B/B	170	173.4	34							1,250
	RRJM-65 CP	MC Nylon	B/B	300	306.0								1,030
75 ※	RGNJM-75 CP	Reinforced Nylon	B/B	400	408.0	38	12	105	90/90	71/71	10.5	35	1,150
	RFJM-75 CP	Urethane	B/B	200	204.0								1,160
	RRJM-75 CP	MC Nylon	B/B	400	408.0								36

Unit: mm

※ It is possible to attach an AD-12 bracket-mounted adjuster to JM-65 and JM-75 brackets (Page 64).

Bearing: No mark -- Spindle sleeve, B/B -- Steel bearing

Bracket: White Plating (Written as "CP")



### [Bracket Dimensions]

Size A	Load Capacity		Bracket Height H	Bracket Width B	Weight (g)
	(daN)	(kgf)			
50	200	204.0	47	32	310
65	300	306.0	60	40	850
75	400	408.0	68	40	880

Unit: mm

\* The shaft set is included in the bracket.