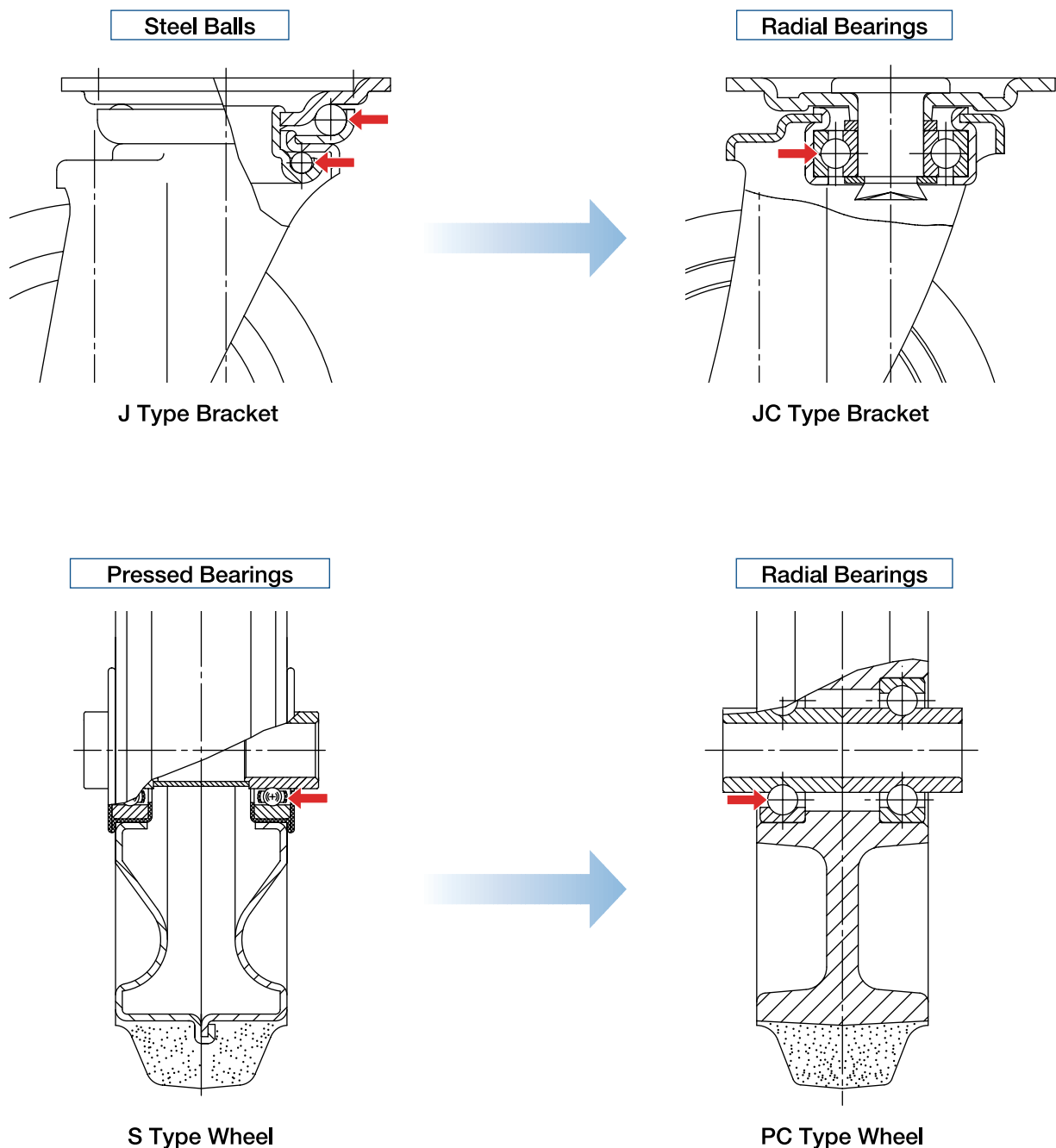


# Silent Running Caster Series

**Reduces the Noise of Brackets and Wheels while Running!**

## Distinctive Features

The UKAI silent running caster replaces the original ball bearings in the swivel part of J type bracket with the radial bearings and bearing holder, and also replaces the original pressed bearings in the wheel with radial bearings. This improvement successfully reduced the noise of brackets and wheels while running.



# PCJC Type

Size: 100mm~150mm

**Silent Running** Swivel Caster



PCJC-100

PCJC-125

PCJC-151

Unit: mm

Size 	Model Number	Wheel	Bearing	Load Capacity		Tire Width R	Shaft Diameter D	Overall Height H1	Plate Size F1/F2	Mounting Hole Spacing P1/P2 (P1'/P2')	Plate Hole d	Offset E	Weight (g)
				(daN)	(kgf)								
100	PCJC-100	Rubber	B/B	120	122.4	32	10	132	90/90	※71/71 (68/68)	11	34	900
125	PCJC-125	Rubber	B/B	150	153.0	38	12	168	100/100	※80/80 (75/75)	11	38	1,420
150	PCJC-151	Rubber	B/B	180	183.6	38	12	190	100/100	※80/80 (75/75)	11	40	1,520

Bearing: B/B -- Steel radial bearing

※Oval-shaped screw holes

### 【Bracket Dimensions】

Unit: mm

Size 	Bracket Height H	Bracket Width B
100	82	42
125	105	53
150	115	53

