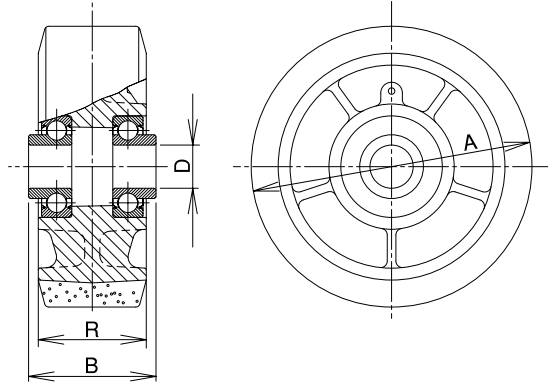


R/RF Type

Wheel

R Type Heavy Duty Aluminum Rim · Urethane Rubber Wheel

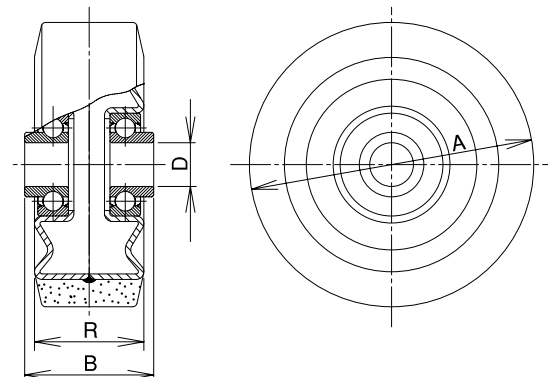
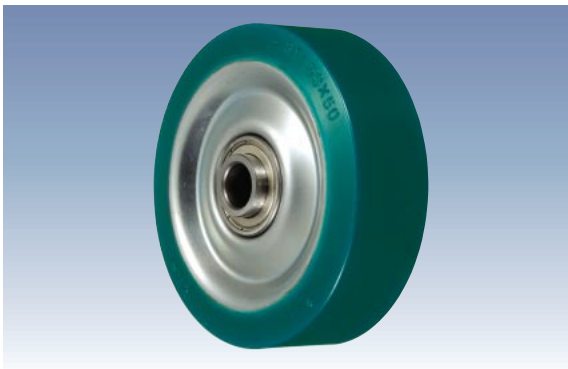


Unit: mm

Size 	Model Number	Load Capacity		Boss Width B 	Tire Width R 	Shaft Diameter D 	Steel Radial Bearing	Weight (g) 	Compatible Caster Bracket
		(daN)	(kgf)						
100	R-100	300	306.0	56	50	12	6201ZZY	530	JM, KH, JMB
130	R-130	450	459.0	59	50	20	6204ZZY	1,050	JM, JH, KH, JMB
150	R-150	500	510.0	59	50	20	6204ZZY	1,240	JM, JH, JHW, KH, KHW, JMB, JHB

Wheel Rim: Aluminum alloy for die casting (ADC-12)

RF Type Heavy Duty Steel Rim · Urethane Rubber Wheel



Unit: mm

Size 	Model Number	Load Capacity		Boss Width B 	Tire Width R 	Shaft Diameter D 	Steel Radial Bearing	Weight (g) 	Compatible Caster Bracket
		(daN)	(kgf)						
65	RF-65	170	173.4	39	34	12	6201ZZY	400	JM, KH
75	RF-75	200	204.0	39	38	12	6201ZZY	280	
100	RF-100	300	306.0	56	50	12	6201ZZY	540	JM, KH, JMB
130	RF-130	450	459.0	59	50	20	6204ZZY	1,080	JM, JH, KH, JMB
150	RF-150	500	510.0	59	50	20	6204ZZY	1,300	JM, JH, JHW, KH, KHW, JMB, JHB
200	RF-200	600	612.0	70	63	25	6205ZZY	2,570	JM, JH, JHW, KH, KHW, JMB

Wheel Rim: RF-65 Iron Rim
RF-75~200 Steel