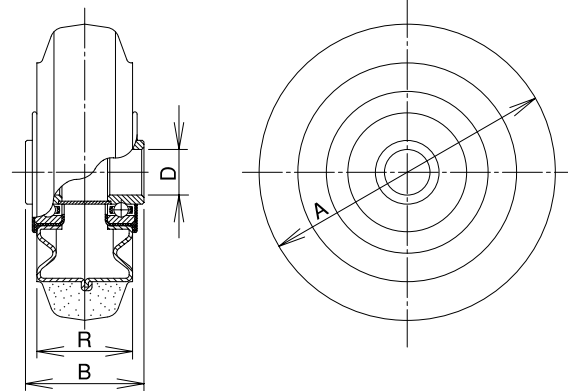


SH/CR_{Type}

Wheel

SH Type Steel Rim · Polybutadiene High-Rebound Rubber Wheel

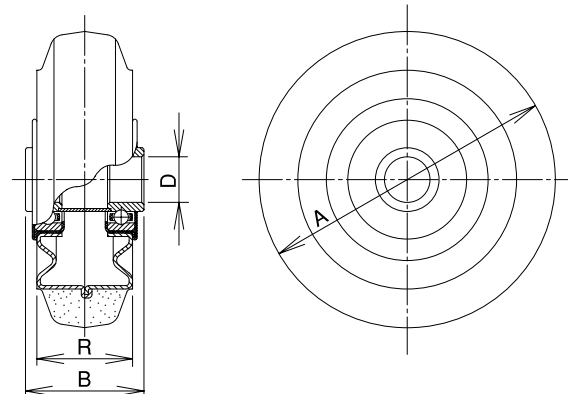


Unit: mm

Size 	Model Number	Load Capacity		Boss Width B 	Tire Width R 	Shaft Diameter D 	Steel Ball Bearing	Weight (g) 	Compatible Caster Bracket
		(daN)	(kgf)						
200	SH-200	250	255.0	55	45	20	204B	1,670	J, JA K, KA JB, JAB KBZ, KABZ

Wheel Rim: Steel

CR Type Steel Rim · Chloroprene Heat-resistance Rubber Wheel



Unit: mm

Size 	Model Number	Load Capacity		Boss Width B 	Tire Width R 	Shaft Diameter D 	Steel Ball Bearing	Weight (g) 	Compatible Caster Bracket
		(daN)	(kgf)						
75	CR-75	80	81.6	39	32	10	200B	220	J, JA K, KA JB, JAB KBZ, KABZ
100	CR-100	130	132.6	42	35	12	201B	390	
130	CR-130	180	183.6	52	42	20	204B	810	
150	CR-150	200	204.0	55	45	20	204B	1,000	
200	CR-200	250	255.0	55	45	20	204B	1,750	
250	CR-250	330	336.6	64	50	25	205B	2,740	J, K, JB

Wheel Rim: Steel