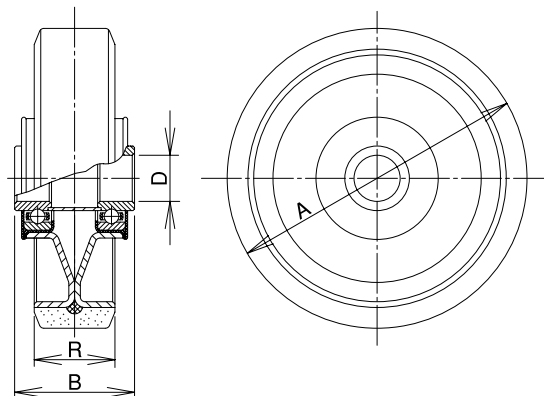
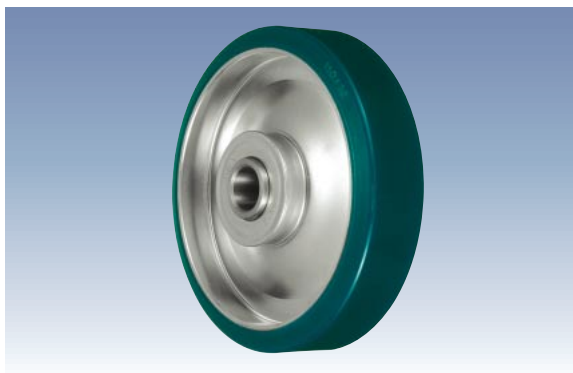



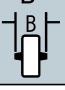
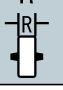


SUI/SUIE Type

Wheel

SUI Type Steel Rim · Urethane Rubber Wheel



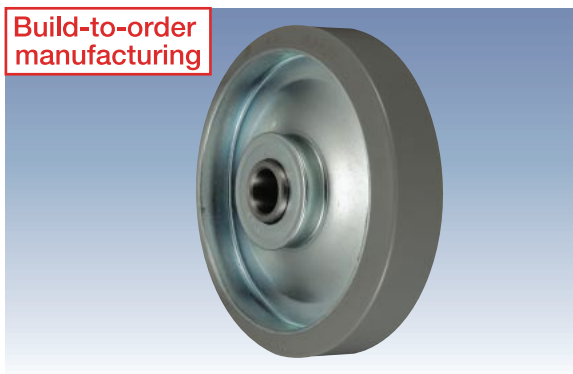
Unit: mm

| Size  | Model Number | Load Capacity | | Boss Width B  | Tire Width R  | Shaft Diameter D  | Steel Ball Bearing | Weight (g)  | Compatible Caster Bracket |
|---|--------------|---------------|-------|--|--|--|--------------------|--|--|
| | | (daN) | (kgf) | | | | | | |
| 50 | SUI-50 | 80 | 81.6 | 28 | 20.5 | 10 | 200B | 140 | TH, JM, KH |
| 65 | TSUI-65 | 100 | 102.0 | 30 | 25 | 12 | 6201ZZY | 310 | TH |
| 75 | SUI-75 | 120 | 122.4 | 39 | 32 | 10 | 200B | 280 | J, JA K, KA JB, JAB KBZ, KABZ |
| 100 | SUI-100 | 180 | 183.6 | 42 | 32 | 12 | 201B | 430 | |
| 130 | SUI-130 | 250 | 255.0 | 52 | 35 | 20 | 204B | 910 | |
| 150 | SUI-150 | 300 | 306.0 | 55 | 38 | 20 | 204B | 1,150 | |
| 200 | SUI-200 | 400 | 408.0 | 55 | 42 | 20 | 204B | 1,840 | |
| 250 | SUI-250 | 500 | 510.0 | 64 | 45 | 25 | 205B | 3,080 | J, K, JB |
| 300 | SUI-300 | 600 | 612.0 | 71 | 50 | 25 | 205B | 4,440 | J, K |

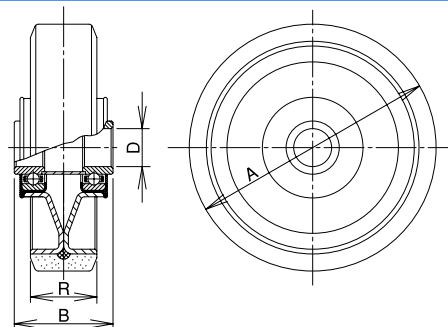
Wheel Rim: Steel

SUIE Type Steel Rim · Anti-Static Urethane Rubber Wheel


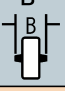

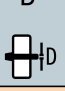

Build-to-order
manufacturing



By adding semi-conducting property to urethane rubber, it became possible to prevent the accumulation of static electricity and remove static electricity gently without generating a shock.



Unit: mm

| Size  | Model Number | Load Capacity | | Boss Width B  | Tire Width R  | Shaft Diameter D  | Steel Ball Bearing | Weight (g)  | Compatible Caster Bracket |
|---|--------------|---------------|-------|--|--|--|--------------------|--|--|
| | | (daN) | (kgf) | | | | | | |
| 75 | SUIE-75 | 120 | 122.4 | 39 | 32 | 10 | 200B | 280 | J, JA K, KA JB, JAB KBZ, KABZ |
| 100 | SUIE-100 | 180 | 183.6 | 42 | 32 | 12 | 201B | 430 | |
| 130 | SUIE-130 | 250 | 255.0 | 52 | 35 | 20 | 204B | 910 | |
| 150 | SUIE-150 | 300 | 306.0 | 55 | 38 | 20 | 204B | 1,150 | |
| 200 | SUIE-200 | 400 | 408.0 | 55 | 42 | 20 | 204B | 1,840 | |

Wheel Rim: Steel

Volume Resistivity Value: $6 \times 10^8 \Omega \cdot \text{cm}$ (Measured by insulation resistance tester)

 Build-to-order manufacturing